

Euro gauge®

Industrial service pressure gauge

Model : P252 Series

WISE®

Service intended

The P252 Series are suitable for corrosive environment. Typical application includes: chemical, petrochemical, refining, power, marine or food industry. Its stainless steel case and cover have a good appearance and an excellent proof against from a corrosive & a chemical attack.

Nominal diameter

63, 80, 100 and 160mm

Accuracy

Model : P2522(63mm) & P2523(80mm) : $\pm 1.6\%$ of full scale
Model : P2524(100mm) & P2526(160mm) : $\pm 1.0\%$ of full scale

Scale range (MPa, kPa, bar)

63 and 80mm : 0.1 ~ 0 to 0 ~ 100MPa
100 and 160mm : 0.1 ~ 0 to 0 ~ 200MPa

Working pressure

Steady : 75% of full scale
Over Range Protection : 130% of full scale

Working temperature

Ambient : -40 ~ 65°C
Fluid : +200°C maximum

Degree of protection

IP65



Standard features

Pressure connection

Stainless Steel (316SS)
Option: Monel
Threaded entry, radial or back.

Element

Stainless Steel (316SS),
Option: Monel
Model : P2524(100mm) & P2526(160mm)
< 10MPa : C Type Bourdon Tube
≥ 10MPa : Helical Type Bourdon Tube
Model : P2522(63mm) & P2523(80mm)
< 6MPa : C Type Bourdon Tube
≥ 6MPa : Helical Type Bourdon Tube

Blowout protection

Back, Rubber Disc for 80, 100 and 160mm
Top, Rubber Disc for 63mm

Case & bezel ring

Stainless Steel (304SS)
Bayonet Type

Window

63 and 80mm - Glass
100 and 160mm - Safety Glass

Movement

Stainless Steel

Dial

White Aluminum with Black Graduations

Pointer

Aluminium alloy, Black painted.

Process connection

63mm : 1/8", 1/4" PT, NPT & PF
80mm : 1/4", 3/8" PT, NPT & PF
100 and 160mm : 1/4", 3/8", 1/2" PT, NPT & PF

Optional

Electropolished Bezel Ring
Zero adjustable pointer
(Only available with diameter 100 and 160mm)

Ordering information

Base model

P252: Industrial service pressure gauge

Nominal diameter

- 2 : 63mm
- 3 : 80mm
- 4 : 100mm
- 6 : 160mm

Mounting type (Refer to mounting type & dimension)

- A : Bottom Connection, Direct
- B : Bottom Connection, Surface, Case Mounting Plate
- F : Center back Connection, Direct, Only available with diameter 63mm
- G : Lower back Connection, Direct
- H : Center back Connection, Flush, Case Center Mounting Plate, Only available with diameter 63mm
- I : Center back Connection, Flush, Case Center Mounting Plate with Bracket
Only available with diameter 63mm
- J : Center back Connection, Flush, Cover Mounting Plate, Only available with diameter 63mm
- L : Lower back Connection, Flush, Case Center Mounting Plate
- M : Lower back Connection, Flush, Case Center Mounting Bracket
- N : Lower back Connection, Flush, Cover Mounting Plate
- V : Center back Connection, Flush, Cover Mounting Bracket, Only available with diameter 63mm
- W : Lower back Connection, Flush, Cover Mounting Bracket

Accuracy

- 3 : $\pm 1.0\%$ of Full Scale, Not available with diameter 63 & 80mm
- 4 : $\pm 1.6\%$ of Full Scale, Only available with diameter 63 & 80mm

Connection

- B : 1/8", Only available with diameter 63mm
- C : 1/4"
- D : 3/8", Not available with diameter 63mm
- E : 1/2", Not available with diameter 63 & 80mm

Connection type

- B : PF
- C : PT
- D : NPT
- F : BSPT
- G : BSP(G)
- Z : Other

Unit

- H : bar
- I : MPa
- J : kPa

Range

Refer to Pressure Unit & Range Table

Pressure connection Mat'l & dials

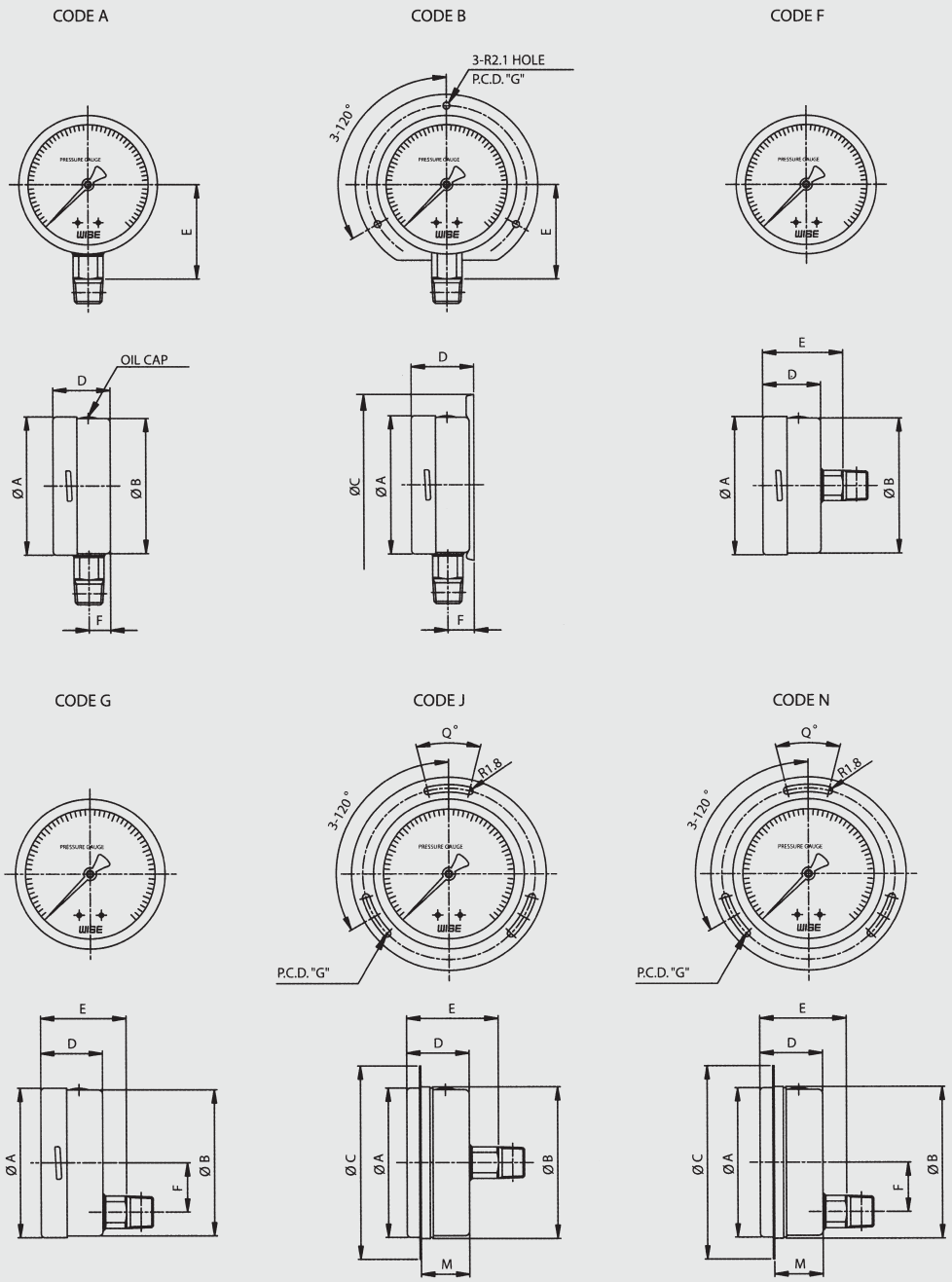
- 3 : 316SS & 2 Colors
- 4 : 316LSS & 2 Colors
- 7 : 316SS & 3 Colors
- 8 : 316LSS & 3 Colors,
Available with Compound and
Vacuum Gauges
- Z : MONEL

Options

- 0 : None
- 1 : Accessories

P252	4	A	3	E	D	I	047	3	0	Sample model number
-------------	----------	----------	----------	----------	----------	----------	------------	----------	----------	--------------------------------

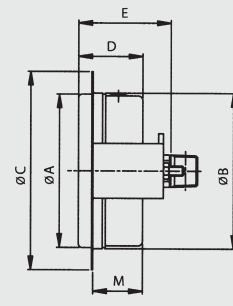
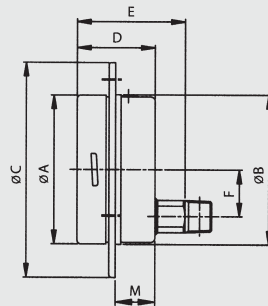
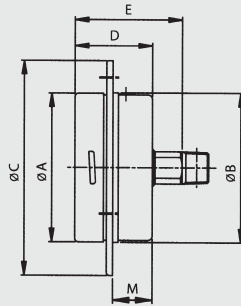
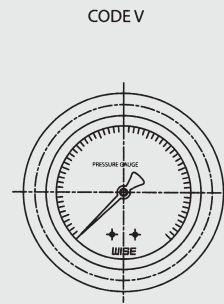
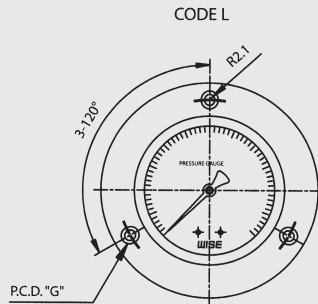
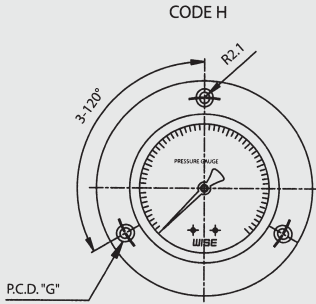
P252 : Type of mounting (1/3)



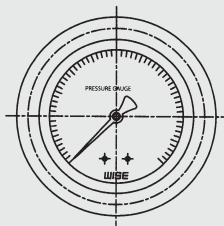
Dimensions (mm)

DIAL SIZE	AVAILABLE CODE	A	B	C	D	E	F	M	G	H	Q
63	A	63.7	62		34	41.7	11				
	B	63.7		85	37	41.7	15		74~75		
	F	63.7	62		34	45					
	G	63.7	62		34	45	13				
	J	63.7	66	86	34	45		28	75		15
	N	63.7	66	86	34	45	13	28	75		15

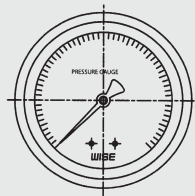
P252 : Type of mounting (2/3)



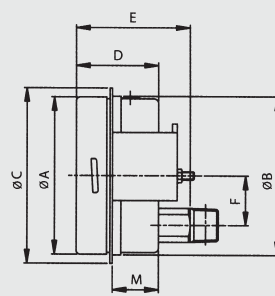
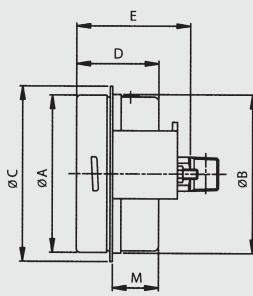
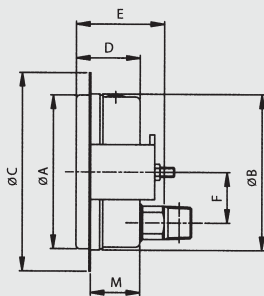
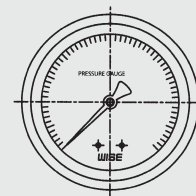
CODE W



CODE I

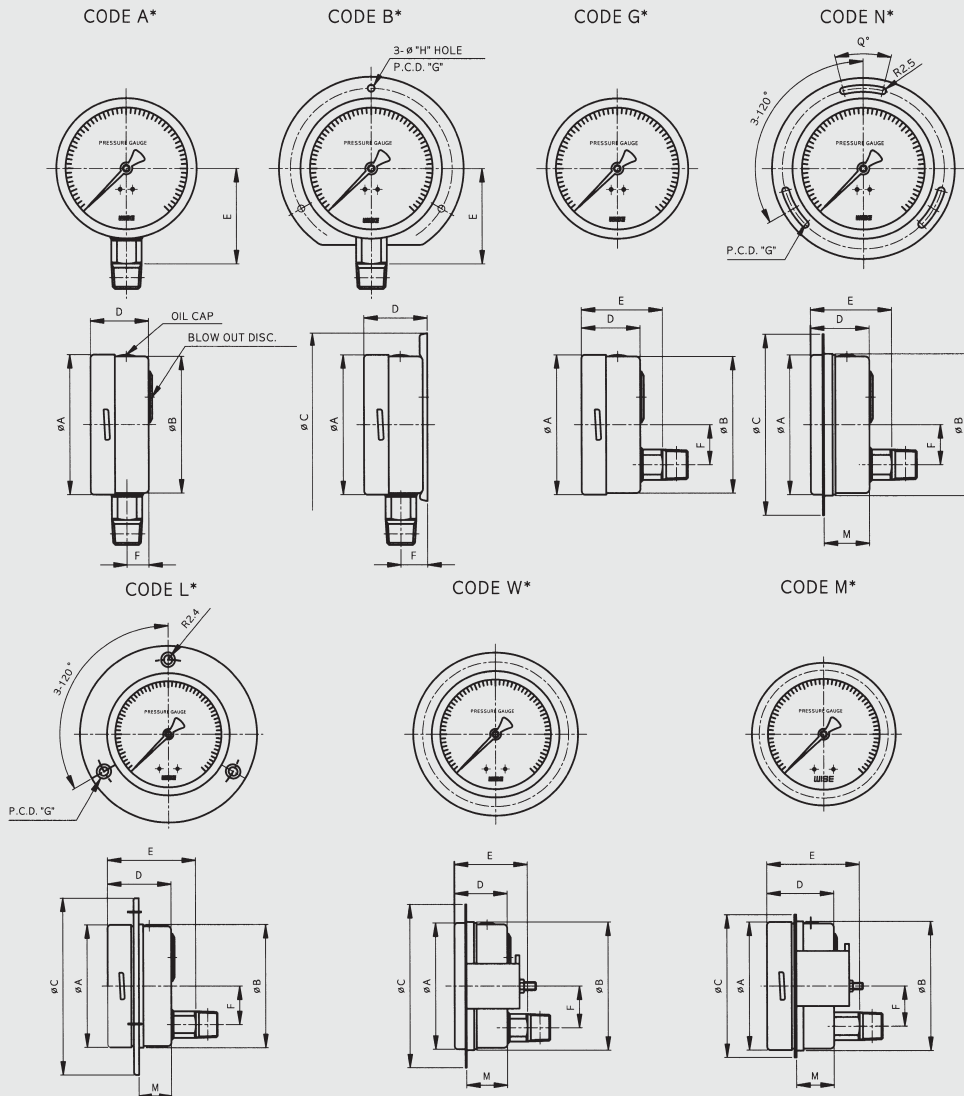


CODE M



		Dimensions mm							
DIAL SIZE	AVAILABLE CODE	A	B	C	D	E	F	M	G
63	H	63.7	64.5	92	34	45		16.8	77~78
	L	63.7	64.5	92	34	45	13	16.8	77~78
	V	63.7	66	86	34	45		28	
	W	63.7	66	86	34	45	13	28	
	I	63.7	64.5	71	34	45		18.5	
	M	63.7	64.5	71	34	45	13	18.5	

P252 : Type of mounting (3/3)



Dimensions (mm)

DIAL SIZE	AVAILABLE CODE	A	B	C	D	E	F	M	G	H	Q
80	A*	81.2	78.5		39.5	50.5	12				
	B*	81.2		108	43	50.5	15.5		95	5	
	G*	81.2	78.5		39.5	53.5	22				
	N*	81.2	83.2	108	39.5	53.5	22	35	95		10
	L*	81.2	80.8	112	39.5	53.5	22	21.8	94.5-95.5		
	W*	81.2	83.2	108	39.5	53.5	22	35			
100	M*	81.2	81.5	88	39.5	53.5	22	22.5			
	A*	101.3	99		50	65	16				
	B*	101.3		133	54.4	65	19.4		116	R2.5	
	G*	101.3	99		50	65	29				
	N*	101.3	103.1	131	50	65	29	45	116		28
	L*	101.3	100.4	132	50	65	29	27.7	115-116		
160	W*	101.3	103.1	131	50	65	29	45			
	M*	101.3	101	107.5	50	65	29	29.5			
	A*	160.6	159		52.5	94	15.8				
	B*	160.6		196	56	94	19.3		178	5.8	
	G*	160.6	159		52.5	67.5	48				
	N*	160.6	163.5	192	52.5	67.5	48	47.5	178		28
160	L*	160.6	162	192	52.5	67.5	48	28	175.5-176.5		
	W*	160.6	164	172	52.5	67.5	48	47.5			
	M*	160.6	162	172	52.5	67.5	48	30.8			

Pressure unit & range table

RANGE & CODE	UNIT & CODE			NOMINAL DIAMETER			
	H : bar	I : MPa	J : kPa	63mm	80mm	100mm	160mm
026	-1	-0,1	-100	○	○	○	○
123	0,4	0,04	40	×	×	○	○
041	1	0,1	100	○	○	○	○
133	1,6	0,16	160	○	○	○	○
042	2	0,2	200	○	○	○	○
134	2,5	0,25	250	○	○	○	○
043	3	0,3	300	○	○	○	○
044	4	0,4	400	○	○	○	○
045	6	0,6	600	○	○	○	○
047	10	1	1000	○	○	○	○
050	15	1,5	-	○	○	○	○
143	16	1,6	-	○	○	○	○
051	20	2	-	○	○	○	○
052	25	2,5	-	○	○	○	○
054	35	3,5	-	○	○	○	○
151	40	4	-	○	○	○	○
055	50	5	-	○	○	○	○
056	60	6	-	○	○	○	○
057	70	7	-	○	○	○	○
058	100	10	-	○	○	○	○
059	150	15	-	○	○	○	○
060	160	16	-	○	×	○	○
062	250	25	-	○	○	○	○
064	350	35	-	○	○	○	○
065	400	40	-	○	○	○	○
066	500	50	-	○	○	○	○
067	600	60	-	○	○	○	○
068	700	70	-	○	○	○	○
070	1000	100	-	○	○	○	○
074	1600	160	-	×	×	○	○
075	2000	200	-	×	×	○	○
027	+-1	+-0,1	+100	○	○	○	○
127	-1~1,6	-0,1~0,16	-100~160	○	○	○	○
028	-1~2	-0,1~0,2	-100~200	○	○	○	○
129	-1~2,5	-0,1~0,25	-100~250	○	○	○	○
029	-1~3	-0,1~0,3	-100~300	○	○	○	○
030	-1~4	-0,1~0,4	-100~400	○	○	○	○
010	-1~5	-0,1~0,5	-100~500	○	○	○	○
031	-1~6	-0,1~0,6	-100~600	○	○	○	○
014	-1~9	-0,1~0,9	-100~900	○	○	○	○
032	-1~10	-0,1~1	-100~1000	○	○	○	○
033	-1~15	-0,1~1,5	-100~1,5MPa	○	○	○	○
034	-1~20	-0,1~2	-100~2MPa	○	○	○	○
035	-1~25	-0,1~2,5	-100~2,5MPa	○	○	○	○